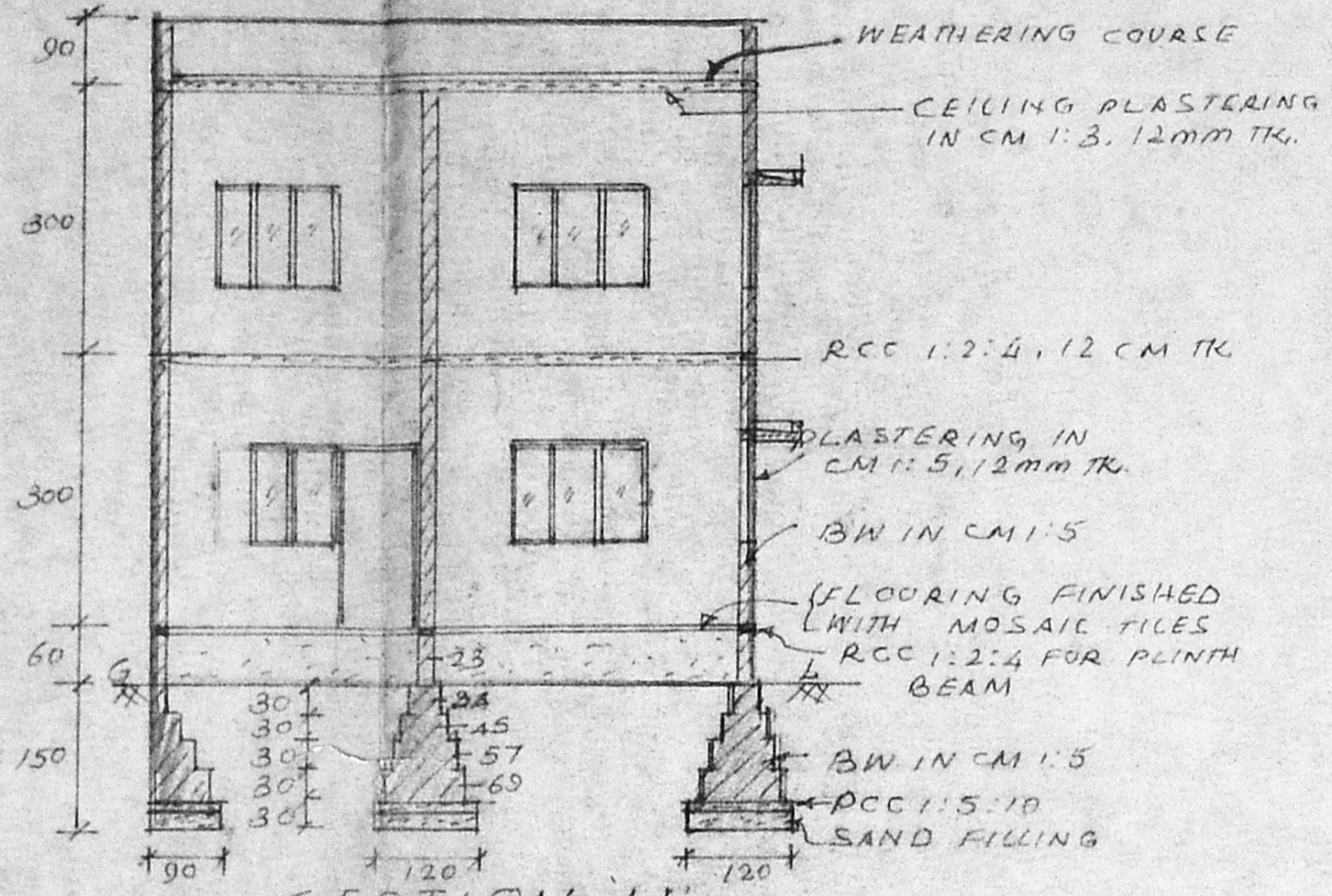
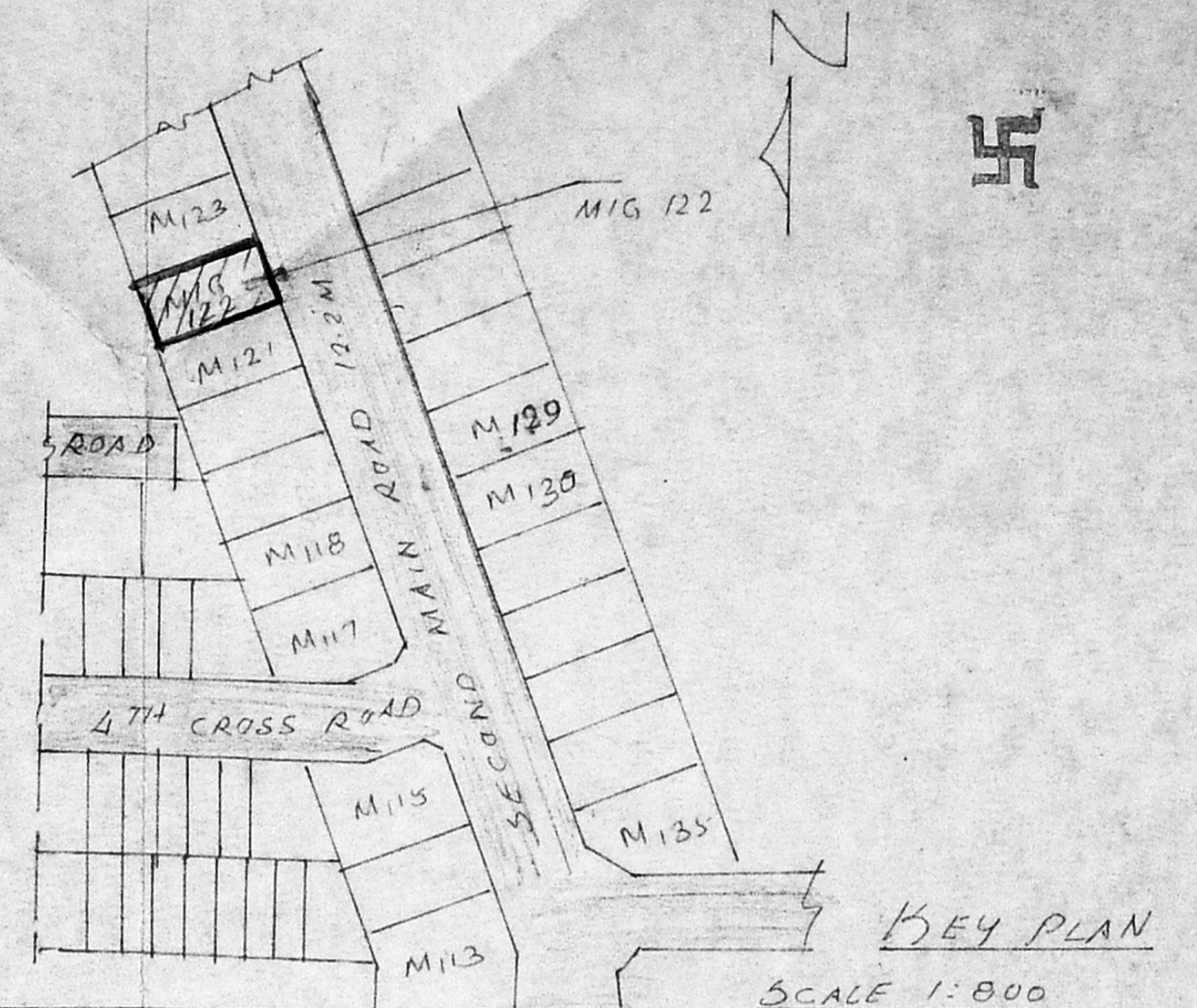


FRONT VIEW



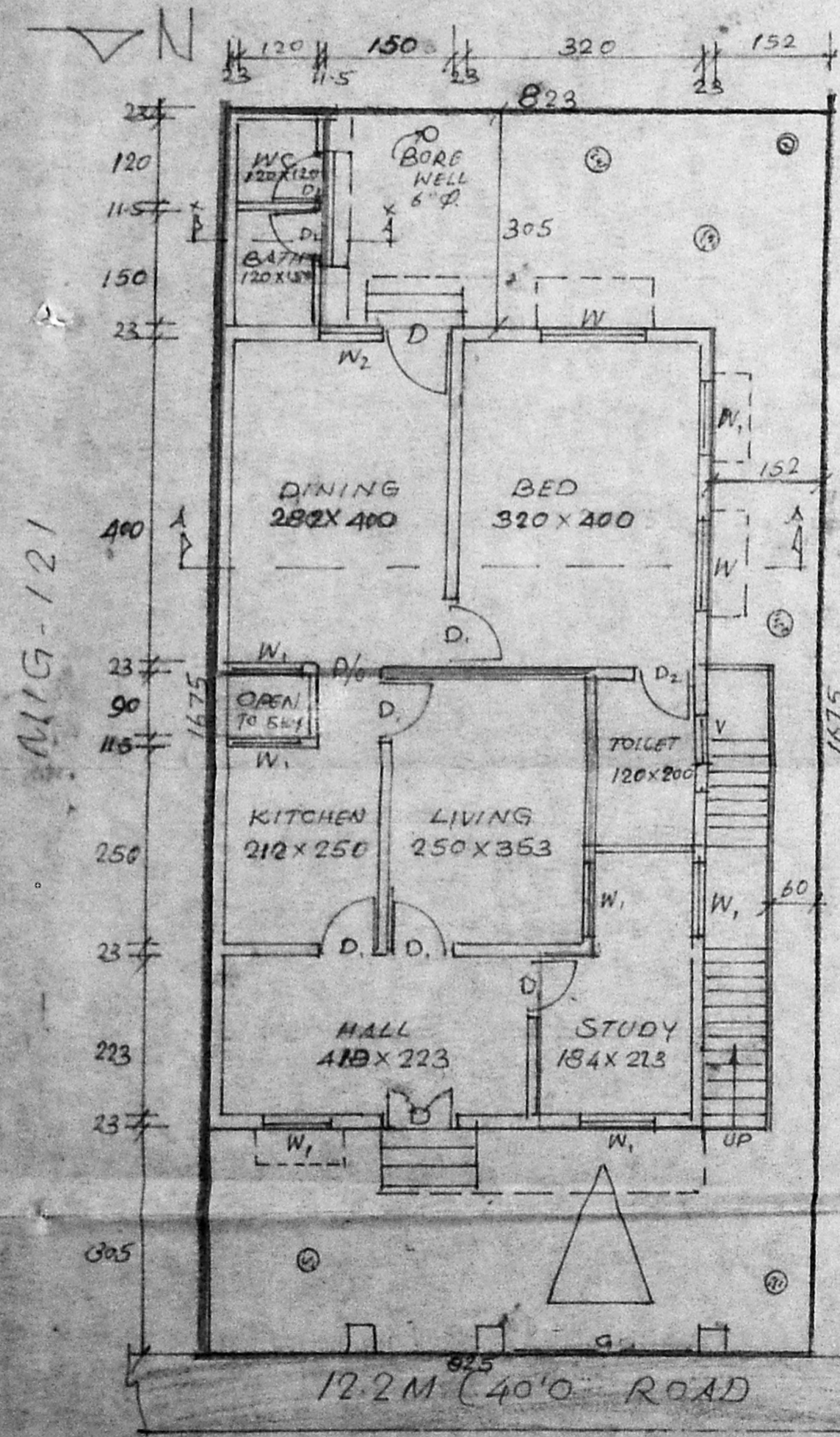
SECTION AA



KEY PLAN

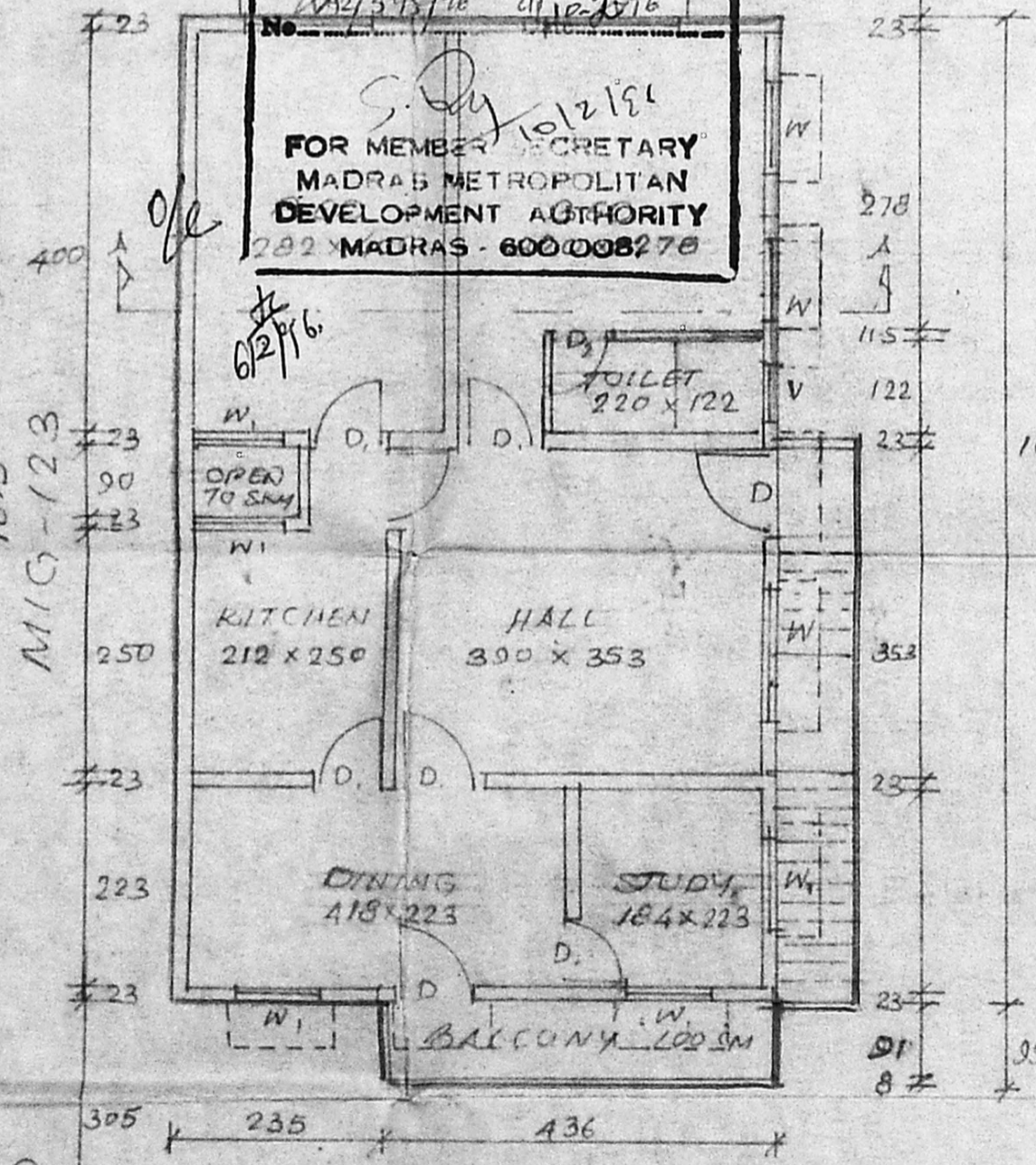
SCALE 1:800

PLAN SHOWING THE PROPOSED ADDITION AND FIRST FLOOR CONSTRUCTION TO THE EXISTING TNHB BUILDING IN PLOT NO MIG-122, SECOND MAIN ROAD, THIRUVALLUVAR NAGAR, S.N^o 216 PART OF THIRUVANMIYUR VILLAGE, SAIDAPET TALUK, CHENGALPATTU-MGR DISTRICT, MADRAS-41 (SCALE=1:80)

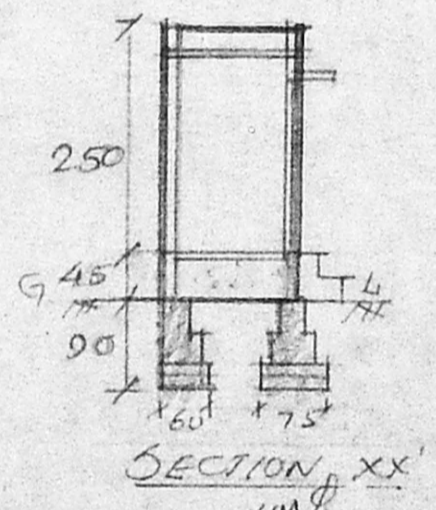


GROUND FLOOR PLAN & SITE PLAN

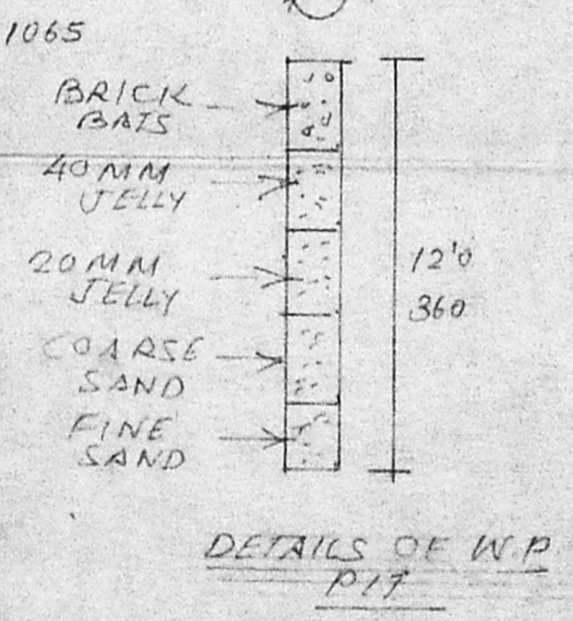
Planning Permit No. A/2016/47/96
APPROVED
 SUBJECT TO THE CONDITIONS IN THIS OFFICE ORDER.
 No. M2/595/96 dt. 20/12/16
 S. D. Jeyaraj
 FOR MEMBER SECRETARY
 MADRAS METROPOLITAN DEVELOPMENT AUTHORITY
 282 MADRAS - 600 008/278



FIRST FLOOR



SECTION XX



DETAILS OF W.P. P17

JOINERY DETAILS		AREA DETAILS	
DOOR	D - 3'3"x7'0" 100x210	PROPOSED G.F. BLG	51.0 550.0
DOOR	D ₁ - 3'0"x7'0" 90x210	PROPOSED F.F. BLG	76.0 816.0
DOOR	D ₂ - 2'6"x7'0" 75x210	EXISTING G.F. BLG	25.15 270.0
WINDOW - W	4'6"x4'6" 135x135	PLOT EXTENT	138.02 1486.0
WINDOW - W ₁	3'0"x4'8" 90x135	PLOT COVERAGE	55%
WINDOW - W ₂	2'0"x4'6" 60x135	FLOOR SPACE INDEX	1.10
VENTILATOR V	2'0"x1'6" 60x45		

COLOUR INDEX	
PROPOSED BUILDING	
EXISTING BUILDING	
PLOT BOUNDARY	
ROAD	

NOTE: ALL DIMENSIONS ARE IN CENTIMETRES UNLESS OTHERWISE SPECIFIED

Signature

OWNER

ERA. NARASIMMON B.E. (Civil),
 Class I Licenced Surveyor No: 78,
 7, Canal Road,
 Thiruvanniyur, Madras-600 041.
 Phone. 410226

LICENSED SURVEYOR.